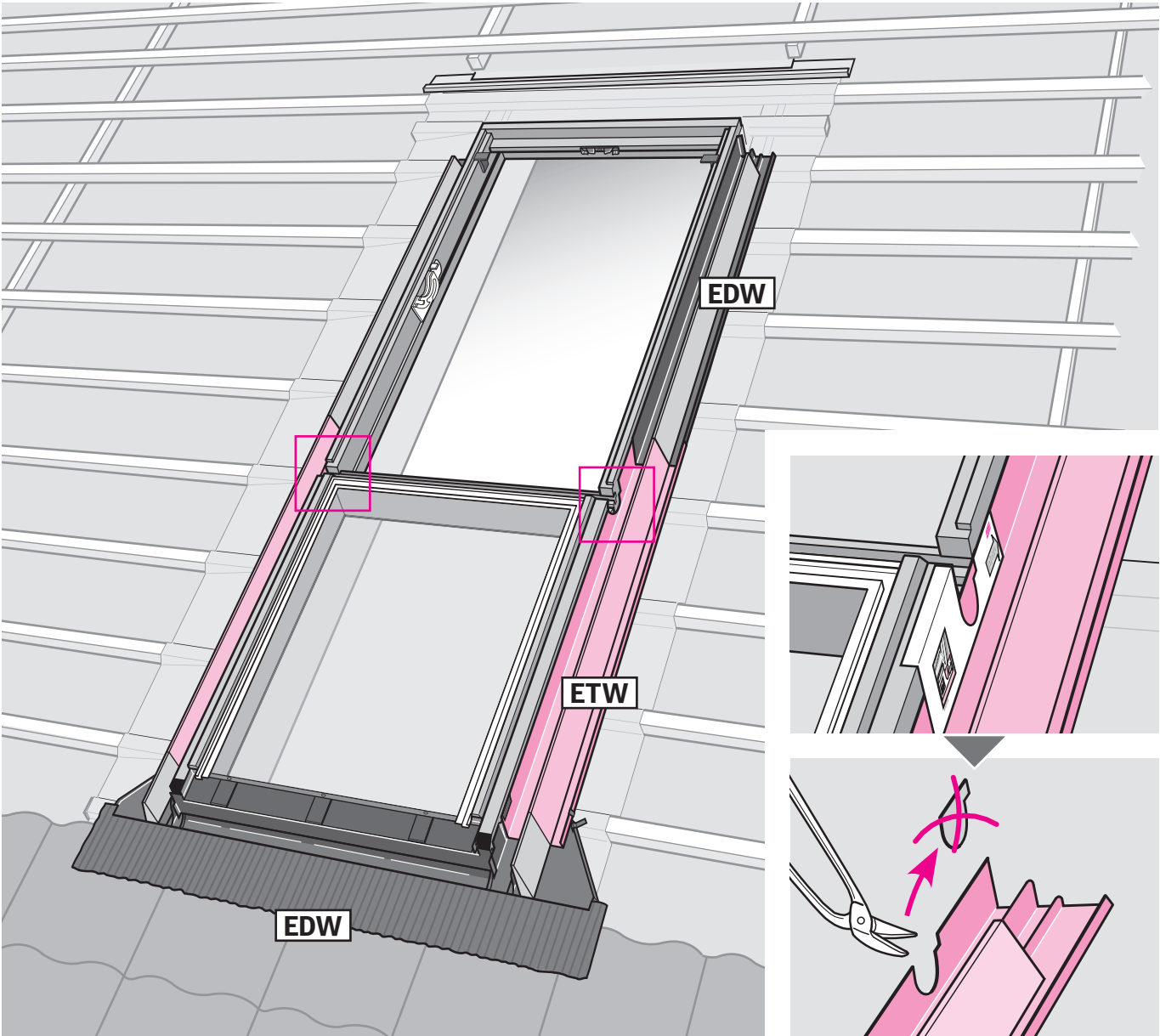
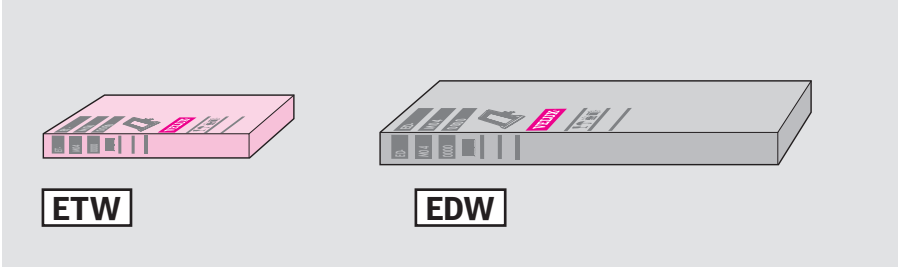


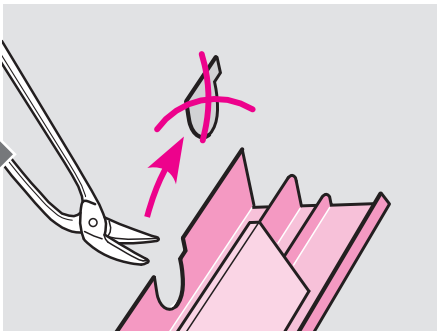
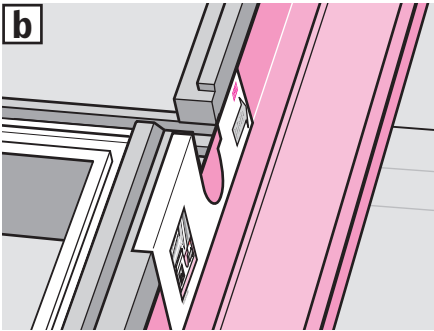
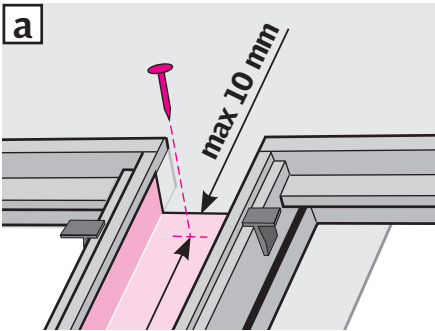
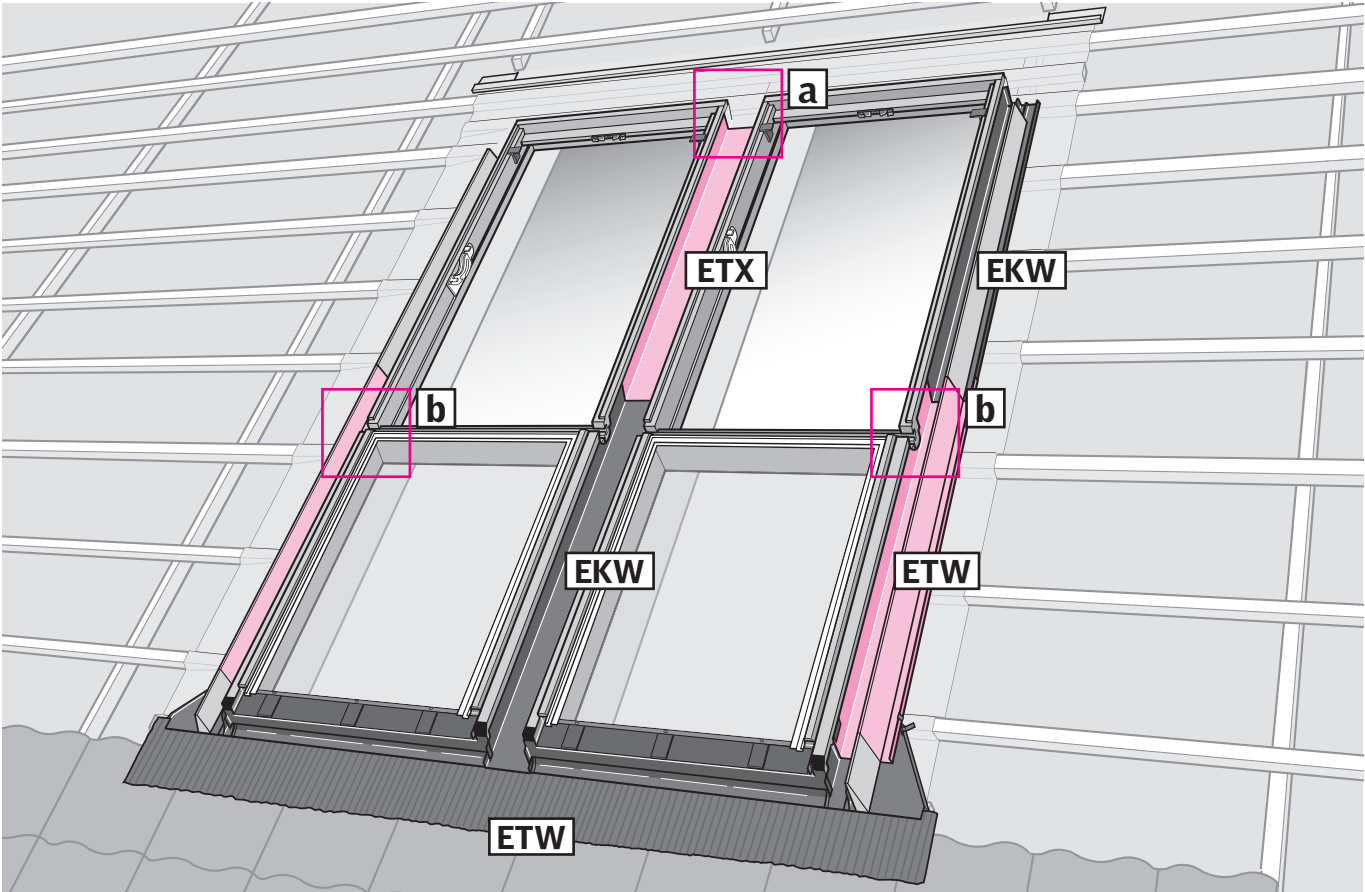
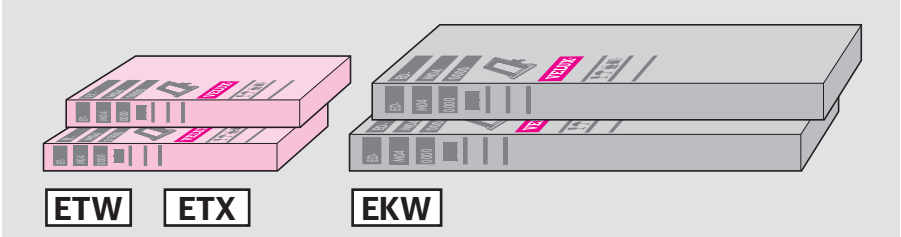
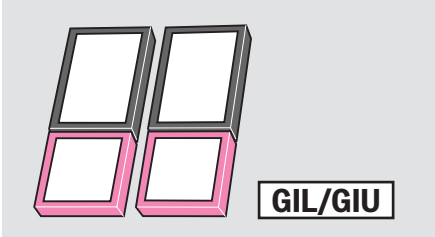
ETW+EDW



INSTALLATION INSTRUCTIONS FOR ETW+EDW. ©2008 VELUX GROUP. ®VELUX AND THE VELUX LOGO ARE REGISTERED TRADEMARKS USED UNDER LICENSE BY THE VELUX GROUP



ETW/ETX+EKW



INSTALLATION INSTRUCTIONS FOR ETW/ETX+EKW. ©2008 VELUX GROUP. VELUX, VELUX GROUP, VELUX, AND THE VELUX LOGO ARE REGISTERED TRADEMARKS. USED UNDER LICENCE BY THE VELUX GROUP.

